

IMSO Sarix® IP Mini Indoor Fixed Dome

0.5 MEGAPIXEL STANDARD DEFINITION INTEGRATED CAMERA

Product Features

- Up to 0.5 Megapixel Resolution (800 x 600)
- Up to 30 Images per Second (ips) at All Resolutions
- Compact Size with 3-inch Bubble
- Varifocal 2.8 ~ 10 mm Lens
- Easy Installation
- H.264, MPEG-4 and MJPEG Compression
- Sensitivity Down to 0.12 lux
- Power over Ethernet (PoE), IEEE 802.3af
- Video Setup Jack Accessible with Dome Installed
- Up to 2 Simultaneous Video Streams
- Electronic PTZ Through the Web Browser
- Open IP Standards



The **Sarix® IMSO Series** is a standard definition network indoor fixed dome camera designed with industry-leading image quality and high performance processing power. From back box wiring to focusing the lens, the **IMSO** is designed to install quickly and easily.

Sarix technology defines the next generation of video security imaging performance, delivering high resolution, advanced low-light capabilities, consistent color science, and fast processing power. The H.264 compression video files are considerably smaller, making network video storage more affordable.

Fixed Dome Camera

The **IMSO** contains an integrated varifocal 2.8 ~ 10 mm lens. All models include a camera in a compact indoor enclosure that is ready to install.

The **IMSO** supports two simultaneous video streams. The two streams can be compressed in MJPEG, MPEG4, and H.264 formats across several resolution configurations. The streams can be configured in a variety of frame rates, bit rates, and group of pictures (GOP) structures for additional bandwidth administration.

Built-In Analytics

The **Pelco Camera Sabotage** behavior is a standard feature of the **IMSO**. This behavior detects contrast changes in the field of view. An alarm is triggered if the lens is obstructed with spray paint, a cloth, or covered with a lens cap. Any unauthorized repositioning of the camera also triggers an alarm.

Web Interface

The **IMSO** uses a standard Web browser for powerful remote setup and administration.

Window Blanking

Window blanking is used to conceal user-defined privacy areas that cannot be viewed by an operator. The **IMSO** supports up to four blanked windows. A blanked area will appear on the screen as a solid gray window.

Video Systemization

The **IMSO** easily connects to Pelco IP and hybrid systems such as Endura® version 2.0 (or later) and Digital Sentry® version 4.3 (or later). The camera is also compatible with Digital Sentry NVs (DS NVs), a full-featured video management software, which is available as a free download at www.pelco.com. DS NVs includes four free Pelco IP licenses and allows for the management of video from up to 64 cameras.

The **IMSO Series** features open architecture connectivity to third-party software. Pelco offers an application programming interface (API) for interfacing with Pelco's network cameras.



by Schneider Electric

International Standards
Organization Registered Firm;
ISO 9001 Quality System



C2973 / REVISED 11-23-11

TECHNICAL SPECIFICATIONS

GENERAL

Imaging Device	1/3-inch (effective)
Imager Type	CMOS
Imager Readout	Progressive scan
Maximum Resolution	800 x 600
Signal-to-Noise Ratio	50 dB
Auto Iris Lens Type	DC drive
Electronic Shutter Range	1 ~ 1/100,000 sec
Wide Dynamic Range	60 dB
White Balance Range	2,000° to 10,000°K
Sensitivity	f/1.3; 2,850°K; SNR >24 dB
Color (1x/33 ms)	0.5 lux
Color SENS (15x/500 ms)	0.12 lux
Dome Attenuation	
Clear	Zero light loss
Smoked	f/1.0 light loss
Construction	
Back-box	Cast aluminum and polycarbonate plastic
Trim ring	Polycarbonate plastic
Bubble	Acrylic plastic
Finish	White
Weight	
Unit	0.35 kg (0.77 lb)
Shipping	0.91 kg (2.00 lb)
Available Languages	Chinese, English, French, German, Italian, Portuguese, Russian, Spanish, and Turkish

ELECTRICAL

Port	RJ-45 connector for 100Base-TX Auto MDI/MDI-X
Cable Type	Cat5 or better for 100Base-TX
Power Input	PoE (IEEE 802.3af class 2)
Power Consumption	<6 W
Current Consumption	
PoE	<200 mA maximum
Service Port	External 3-connector, 2.5 mm provides NTSC/PAL video output
Accessory Port	Connects Pelco accessories

MECHANICAL

Pan/Tilt Adjustment	Manual
Pan	355°
Tilt	180°
Rotate	220°

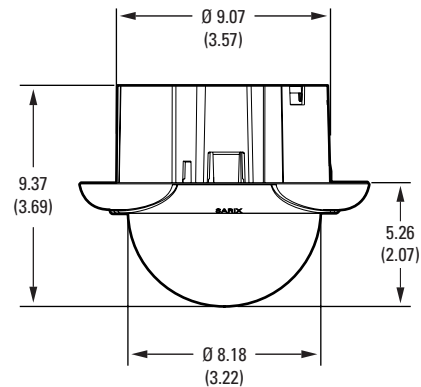
ENVIRONMENTAL

Operational Temperature	0° to 50°C (32° to 122°F)
Operational Humidity	20% to 80%, noncondensing

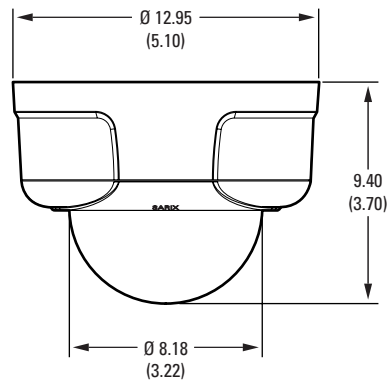


NOTE: VALUES IN PARENTHESES ARE INCHES; ALL OTHERS ARE CENTIMETERS.

IN-CEILING



SURFACE MOUNT (Mounting Ring Included)



COMPACT SIZE. EASY TO INSTALL.

TECHNICAL SPECIFICATIONS

VIDEO

Video Encoding H.264 Base profile, MPEG-4, and MJPEG
 Video Streams Up to 2 simultaneous streams; the second stream is variable based on the setup of the primary stream
 Frame Rate Up to 30, 25, 24, 15, 12.5, 12, 10, 8, 7.5, 6, 5, 4, 3, 2, 1 (dependent upon coding, resolution, and stream configuration)

Available Resolutions	Resolution			MJPEG		H.264 Base Profile		MPEG-4		
	MPx	Width	Height	Aspect Ratio	Maximum IPS	Recommended Bit Rate	Maximum IPS	Recommended Bit Rate	Maximum IPS	Recommended Bit Rate
	0.5	800	600	4:3	30 ips	5.8 Mbps	25 ips	2.0 Mbps	N/A	N/A
	0.3	640	480	4:3	30 ips	3.7 Mbps	30 ips	1.6 Mbps	30 ips	1.7 Mbps
	0.1	320	240	4:3	30 ips	0.9 Mbps	30 ips	0.4 Mbps	30 ips	0.4 Mbps

Additional Resolutions 640 x 512, 640 x 352, 480 x 368, 480 x 272, 320 x 256, 320 x 176, 4CIF (704 x 489 and 704 x 576), and CIF (352 x 240 and 352 x 288)

Supported Protocols TCP/IP, UDP/IP (Unicast, Multicast IGMP), UPnP, DNS, DHCP, RTP, RTSP, NTP, IPv4, SNMP v2c/v3, QoS, HTTP, HTTPS, LDAP (client), SSH, SSL, SMTP, FTP, and 802.1x (EAP)

Users
 Unicast Up to 20 simultaneous users depending on resolution settings (2 guaranteed streams)

Multicast Unlimited users H.264

Security Access Password protected

Software Interface Web browser view and setup

Pelco System Integration Endura 2.0 (or later) or Digital Sentry 4.3 (or later)

Open IP Integration Pelco IP camera API

Minimum System Requirements

Processor Intel® Pentium® 4 microprocessor, 1.6 GHz

Operating System Microsoft® Windows® XP, Windows Vista®, or Mac® OS X 10.4 (or later)

Memory 512 MB RAM

Network Interface Card 100 megabits, minimum

Monitor Minimum of 1024 x 768 resolution, 16- or 32-bit pixel color resolution

Web Browser* Internet Explorer® 7.0 (or later) or Mozilla® Firefox® 3.5 (or later); Internet Explorer® 8.0 (or later) is recommended for configuring analytics

Media Player† Pelco Media Player or QuickTime® 7.6.5 for Windows XP, Windows Vista, or QuickTime 7.6.4 for Mac OS X 10.4

*Internet Explorer is not supported by Mac OS X 10.4.

†This product is not compatible with QuickTime version 7.6.4 for Windows XP or Windows Vista. If you have this version installed on your PC, you will need to upgrade to QuickTime version 7.6.5.

LENS

Field of View in Degrees		Aspect Ratio		
		16:9	4:3	5:4
2.8 mm	Horizontal	91	76	73
	Vertical	50	56	58
10.0 mm	Horizontal	25	21	20
	Vertical	14	16	16

TECHNICAL SPECIFICATIONS

MODEL

IMSOC10-1

Sarix mini indoor fixed dome network camera,
0.5 MPx, color, 2.8 ~ 10 mm varifocal lens,
white trim ring, clear dome



NOTE: VALUES IN PARENTHESES ARE INCHES; ALL OTHERS ARE CENTIMETERS.

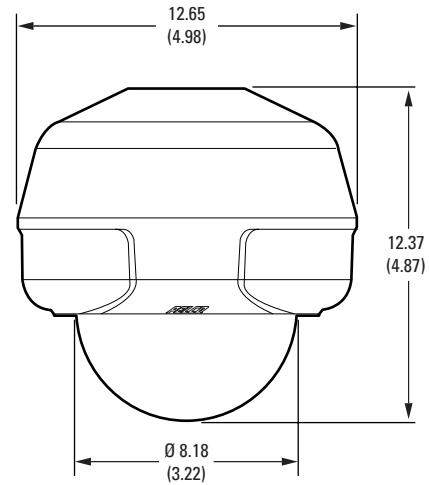
CERTIFICATIONS/RATINGS/PATENTS

- CE, Class B
- FCC, Class B
- UL/cUL Listed
- C-Tick
- Patents Pending

OPTIONAL ACCESSORIES

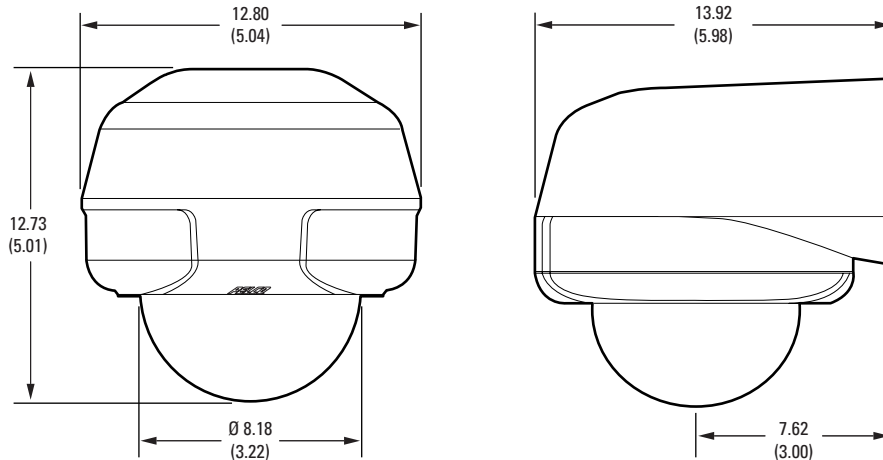
IM-PMWT	White pendant mount
IM-WMWT	White integrated wall mount
LDIM-0	White lower dome with smoked bubble
IX-SC	Service/monitor cable, 1.22 m (4 ft); compatible with standard BNC connectors
AUD-1	External audio accessory
ALM-1	External alarm accessory
POE20U560G	Single port PoE injector

PENDANT (Mount Available as Accessory)



INTEGRATED WALL MOUNT

(Available as Accessory)



Pelco by Schneider Electric

3500 Pelco Way, Clovis, California 93612-5699 United States

USA & Canada Tel (800) 289-9100 Fax (800) 289-9150

International Tel +1 (559) 292-1981 Fax +1 (559) 348-1120

www.pelco.com

Pelco, the Pelco logo, and other trademarks associated with Pelco products referred to in this publication are trademarks of Pelco, Inc. or its affiliates. All other product names and services are the property of their respective companies. Product specifications and availability are subject to change without notice.

©Copyright 2011, Pelco, Inc. All rights reserved.