

# IESO Series Sarix® IP Rugged Fixed Dome

## INDOOR/OUTDOOR, 0.5 MPX STANDARD DEFINITION DIGITAL CAMERA

### Product Features

- Up to SVGA Resolution (800 x 600)
- Up to 30 Images per Second (ips) at All Resolutions
- Auto Back Focus for High Precision Focusing
- H.264, MPEG4, and MJPEG Compression
- Day/Night Capability
- Sensitivity Down to 0.03 lux
- Power over Ethernet (IEEE 802.3af) or 24 VAC
- Focus Button with Delay Enables Precision Focus Through Bubble
- Up to 2 Simultaneous Video Streams
- Electronic PTZ Through the Web Browser
- Local Storage (Micro SD) for Alarm Capture
- Motion Detection

The **Sarix® IESO Series** is a standard definition network indoor/outdoor rugged fixed dome camera designed with industry-leading image quality and high performance processing power. Its sturdy metal design is vandal and tamper resistant and is designed for worry-free use in a wide range of environmental operating conditions.

The **IESO Series** is perfect for use in environmental air handling spaces. The back box is plenum rated per 2008 NEC article 300.22(C)(2).

**Sarix** technology defines the next generation of video security imaging performance, delivering high resolution, advanced low-light capabilities, consistent color science, and fast processing power. The H.264 compression video files are considerably smaller, making network video storage more affordable.

### Fixed Dome Camera

The **IESO Series** can be ordered with or without lenses. All models include advance low-light technology and a camera in an indoor enclosure that is ready to install. The day/night model has a mechanical IR cut filter for increased sensitivity in low-light installations. These cameras accept a wide range of megapixel varifocal CS-mount lenses.

The **IESO Series** supports two simultaneous video streams. The two streams can be compressed in MJPEG, MPEG-4, and H.264 formats across several resolution configurations. The streams can be configured in a variety of frame rates, bit rates, and group of pictures (GOP) structures for additional bandwidth administration.



(SHOWN WITH OPTIONAL IE-S SURFACE MOUNT ADAPTER)

- Bidirectional Half-Duplex Audio
- Open IP Standards

### Built-In Analytics

The **Pelco Camera Sabotage** behavior is a standard feature of the IESO Series. This behavior detects contrast changes in the field of view. An alarm is triggered if the lens is obstructed with spray paint, a cloth, or covered with a lens cap. Any unauthorized repositioning of the camera also triggers an alarm.

### Web Interface

The **IESO Series** uses a standard Web browser for powerful remote setup and administration.

### Window Blanking

Window blanking is used to conceal user-defined privacy areas that cannot be viewed by an operator. The **IESO Series** supports up to four blanked windows. A blanked area will appear on the screen as a solid gray window.

### Systemization

The **IESO Series** easily connects to Pelco IP and hybrid systems such as Endura® version 2.0 (or later) and Digital Sentry® version 4.3 (or later). The camera is also compatible with Digital Sentry NVs (DS NVs), a full-featured video management software, which is available as a free download at [www.pelco.com](http://www.pelco.com). DS NVs includes four free Pelco IP licenses and allows for the management of video from up to 64 cameras.

The **IESO Series** features open architecture connectivity to third-party software. Pelco offers an application programming interface (API) for interfacing with Pelco's network cameras.



by Schneider Electric

International Standards  
Organization Registered Firm;  
ISO 9001 Quality System



C2968 / REVISED 11-23-11

# TECHNICAL SPECIFICATIONS

## GENERAL

Imaging Device	1/3-inch (effective)
Imager Type	CMOS
Imager Readout	Progressive scan
Maximum Resolution	800 x 600
Signal-to-Noise Ratio	50 dB
Auto Iris Lens Type	DC drive
Electronic Shutter Range	1 ~ 1/100,000 sec
Wide Dynamic Range	60 dB
White Balance Range	2,000° to 10,000°K
Sensitivity	f/1.2; 2,850°K; SNR >24 dB
Color (1x/33 ms)	0.5 lux
Color SENS (15x/500 ms)	0.12 lux
Mono (1x/33 ms)	0.25 lux
Mono SENS (15x/500 ms)	0.03 lux
Dome Attenuation	
Clear	Zero light loss
Smoked	f/1.0 light loss
Construction	Cast aluminum body with polycarbonate bubble
Finish	Light gray powder coat
Weight (without lens)	
Unit	1.5 kg (3.3 lb)
Shipping	2.3 kg (5.0 lb)
Available Languages	Chinese, English, French, German, Italian, Portuguese, Russian, Spanish, and Turkish

## ELECTRICAL

Port	RJ-45 connector for 100Base-TX Auto MDI/MDI-X
Cable Type	Cat5 or better for 100Base-TX
Power Input	18 to 30 VAC; 24 VAC nominal or PoE (IEEE 802.3af class 3)
Power Consumption*	<7 W, <40 W with heater operation
Current Consumption	
PoE	<140 mA maximum
24 VAC†	<510 mA without heater operation; <2.5 A maximum with heater operation
Local Storage	Micro SD
Alarm Input	10 VDC maximum, 5 mA maximum
Alarm Output	0 to 15 VDC maximum, 75 mA maximum
Service Port	External 3-connector, 2.5 mm provides NTSC/PAL video output
Accessory Port	Connects Pelco accessories
Audio	Bidirectional: half duplex; line level/external microphone input; 600-ohm differential; 1 Vp-p max signal level
Compression	G.711 PCM 64 kbit/s

\*Does not include optional devices connected to the accessory port.  
 †24 VAC is required for heater operation.

## MECHANICAL

Lens Mount	CS mount, adjustable
Pan/Tilt Adjustment	
Pan	368°
Tilt	160° (10° to 170°)
Rotate	355°

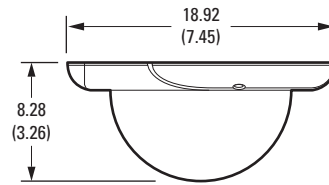
## ENVIRONMENTAL

Operational Temperature	-30° to 50°C (-22° to 122°F); PoE operates between 0° to 50°C (32° to 122°F), 24 VAC power is required for heater operation below 0°C (32°F)
Thermostat Operation	Heater thermostatically controlled to operate below <5°C (<41°F)
Operational Humidity	20% to 80%, noncondensing
Impact Resistance	IK10++ per EN62262 (70J)



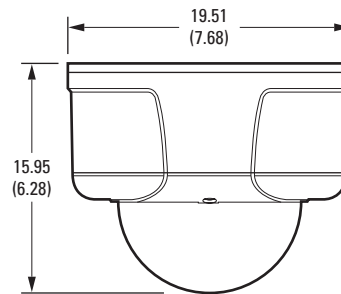
NOTE: VALUES IN PARENTHESES ARE INCHES; ALL OTHERS ARE CENTIMETERS.

### IN-CEILING



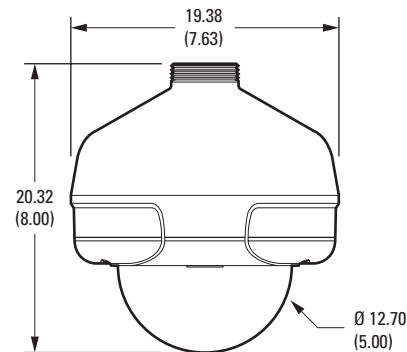
### SURFACE MOUNT

(Mount Is Available as an Accessory)



### PENDANT

(Mount Is Available as an Accessory)



# TECHNICAL SPECIFICATIONS

## VIDEO

Video Encoding	H.264 Base profile, MPEG-4, and MJPEG
Video Streams	Up to 2 simultaneous streams; the second stream is variable based on the setup of the primary stream
Frame Rate	Up to 30, 25, 24, 15, 12.5, 12, 10, 8, 7.5, 6, 5, 4, 3, 2, 1 (dependent upon coding, resolution, and stream configuration)

Available Resolutions	Resolution			MJPEG		H.264 Base Profile		MPEG-4		
	MPx	Width	Height	Aspect Ratio	Maximum IPS	Recommended Bit Rate	Maximum IPS	Recommended Bit Rate	Maximum IPS	Recommended Bit Rate
	0.5	800	600	4:3	30 ips	5.8 Mbps	25 ips	2.0 Mbps	N/A	N/A
	0.3	640	480	4:3	30 ips	3.7 Mbps	30 ips	1.6 Mbps	30 ips	1.7 Mbps
	0.1	320	240	4:3	30 ips	0.9 Mbps	30 ips	0.4 Mbps	30 ips	0.4 Mbps

Additional Resolutions	640 x 512, 640 x 352, 480 x 368, 480 x 272, 320 x 256, 320 x 176, 4CIF (704 x 489 and 704 x 576), and CIF (352 x 240 and 352 x 288)
------------------------	---

Supported Protocols	TCP/IP, UDP/IP (Unicast, Multicast IGMP), UPnP, DNS, DHCP, RTP, RTSP, NTP, IPv4, SNMP v2c/v3, QoS, HTTP, HTTPS, LDAP (client), SSH, SSL, SMTP, FTP, and 802.1x (EAP)
---------------------	--

Users	
Unicast	Up to 20 simultaneous users
Multicast	Unlimited users H.264

Security Access	Password protected
-----------------	--------------------

Software Interface	Web browser view and setup
--------------------	----------------------------

Pelco System Integration	Endura 2.0 (or later) or Digital Sentry 4.3 (or later)
--------------------------	--

Open IP Integration	Pelco IP camera API
---------------------	---------------------

Minimum System Requirements	
Processor	Intel®, Pentium® 4 microprocessor, 1.6 GHz
Operating System	Microsoft® Windows® XP, Windows Vista®, or Mac® OS X 10.4 (or later)
Memory	512 MB RAM
Network Interface Card	100 megabits (or greater)
Monitor	Minimum of 1024 x 768 resolution, 16- or 32-bit pixel color resolution
Web Browser*	Internet Explorer® 7.0 (or later) or Mozilla® Firefox® 3.5 (or later); Internet Explorer 8.0 (or later) is recommended for configuring analytics
Media Player†	Pelco Media Player or QuickTime® 7.6.5 for Windows XP, Windows Vista, or QuickTime 7.6.4 for Mac OS X 10.4

\*Internet Explorer is not supported by Mac OS X 10.4.

†This product is not compatible with QuickTime version 7.6.4 for Windows XP or Windows Vista. If you have this version installed on your PC, you will need to upgrade to QuickTime version 7.6.5.

# TECHNICAL SPECIFICATIONS

## MODELS

IESODN12-1	Sarix outdoor fixed dome network camera, 0.5 MPx, day/night, 2.8 ~ 12 mm varifocal lens, clear dome
IESODN-0	Sarix outdoor fixed dome network camera, 0.5 MPx, day/night, no lens, smoked dome
IESODN-1	Sarix outdoor fixed dome network camera, 0.5 MPx, day/night, no lens, clear dome

## CERTIFICATIONS/RATINGS/PATENTS

- CE, Class A
- FCC, Class A
- UL/cUL Listed
- C-Tick
- Meets NEMA Type 4X and IP66 standards

## OPTIONAL ACCESSORIES

IX-SC	Service/monitor cable, 1.22 m (4 ft); compatible with standard BNC connectors
POE20U560G	Single port PoE injector

## RECOMMENDED MOUNTS

IE-P	Pendant mount adapter, light gray
IE-S	Surface mount adapter, light gray
SWM-SR, IWM-SR*	Wall mounts, light gray
IWM24-SR*	Wall mount with cable feedthrough; includes integral 24 VAC, 100 VA transformer; light gray finish
PP350*	Parapet mount, gray
PP351*	Rooftop or horizontal surface mount, gray

\*Requires the IE-P pendant mount adapter.

## RECOMMENDED LENSES

13VD2.5-6	Varifocal lens, 2.5 ~ 6.0 mm, f/1.4 ~ 2.1
13VD2.8-12	Varifocal lens, 2.8 ~ 12.0 mm, f/1.4 ~ 2.9
13VD5-50	Varifocal lens, 5.0 ~ 50.0 mm, f/1.4 ~ 2.9

Field of View in Degrees		Aspect Ratio		
		16:9	4:3	5:4
2.5 mm	Horizontal	98	83	80
	Vertical	55	63	64
2.8 mm	Horizontal	89	74	71
	Vertical	48	55	56
5.0 mm	Horizontal	50	42	40
	Vertical	28	32	32
6.0 mm	Horizontal	42	36	34
	Vertical	24	27	28
8.0 mm	Horizontal	32	27	26
	Vertical	18	20	20
12.0 mm	Horizontal	21	18	17
	Vertical	12	13	14
50.0 mm	Horizontal	5	4	4
	Vertical	3	3	3

### Pelco by Schneider Electric

3500 Pelco Way, Clovis, California 93612-5699 United States

**USA & Canada** Tel (800) 289-9100 Fax (800) 289-9150

**International** Tel +1 (559) 292-1981 Fax +1 (559) 348-1120

[www.pelco.com](http://www.pelco.com)

Pelco, the Pelco logo, and other trademarks associated with Pelco products referred to in this publication are trademarks of Pelco, Inc. or its affiliates. All other product names and services are the property of their respective companies. Product specifications and availability are subject to change without notice.

©Copyright 2011, Pelco, Inc. All rights reserved.